

Original Research Paper

Efficiency of Hybrid MPPT Techniques Based on ANN and PSO for Photovoltaic Systems under Partially Shading Conditions

Max Tatsuhiko Mitsuya and Anderson Alvarenga de Moura Meneses

¹Postgraduate Program in Amazon Natural Resources, Laboratory of Computational Intelligence, Federal University of Western Pará, Santarém, PA, Brazil

Article history

Received: 28-08 2019

Revised: 03-09-2019

Accepted: 30-09-2019

Corresponding Author:

Max T. Mitsuya,
Postgraduate Program in
Amazon Natural Resources,
Laboratory of Computational
Intelligence - Federal
University of Western Pará,
Santarém, Brazil
Email: maxmitsuya@cetepa.g12.br

Abstract: Hybrid Maximum Power Point Tracking (MPPT) algorithms have been investigated as an alternative to improve the performance of conventional MPPT, such as Perturb and Observe (P&O), Incremental Conductance (InC) and Hill Climbing (HC) in Photovoltaic (PV) systems under Partially Shading Condition (PSC). In the present article, Artificial Neural Network (ANN) and Particle Swarm Optimization (PSO) hybridized with P&O algorithm for MPPT are compared in terms of power efficiency. This paper not only compare hybrid MPPT methods against conventional MPPT, but also provide a comparison between two different hybrid techniques. In order to evaluate the performance of such hybrid methods, a PV system was computationally modelled and different PSC scenarios were implemented in MATLAB[®]/Simulink, as well as the hybrid methods ANN+P&O and PSO+P&O. The hybrid methods ANN+P&O and PSO+P&O successfully improve the efficiency of P&O algorithm, respectively achieving 98.93% and 92.96% on average in the PSC scenarios tested, whereas P&O achieved 88.27% on average in such scenarios.

Keywords: Photovoltaic Systems, Hybrid Maximum Power Point Tracking, Artificial Neural Network, Particle Swarm Optimization, Perturb and Observe

Introduction

PV systems are a strategic renewable energy source for rural electrification and for supplying power to isolated communities (Gómez and Silveira, 2015) aiming very fundamental activities such as household lighting, water pumping, and preserving food and medicine in refrigerators. However, the performance of a PV system depends on climate variables, such as solar irradiance and ambient temperature (due to its influence in the cell temperature), and load profile (due to the load impedance).

In order to extract the maximum power of PV systems for any irradiance and temperature levels, it is desirable that PV systems operate in the Maximum Power Point (MPP). Thus, it is possible to insert a DC/DC converter with a computing system that will modify the duty cycle according to the search method and implicitly the input impedance of the converter until the system reaches the MPP, overcoming undesired effects on the output power. The process of searching this operation point is called Maximum Power Point Tracking (MPPT) (Karami *et al.*, 2017) and the techniques used for reaching the MPP are called MPPT algorithms. According to variations in

environmental conditions, the P-V curve exhibits variations on the MPP, which is a challenge to MPPT algorithms. The situation becomes more complex in cases of Partially Shaded Conditions (PSC), when the module of PV array receives non-uniform solar irradiance. Then, the P-V curve exhibits multiple Local Maximum Power Point (LMPP) and one Global Maximum Power Point (GMPP). For such conditions, several global MPPT algorithms based on soft computing have been introduced (Ishaque *et al.*, 2012b; Nabipour *et al.*, 2017; Jiang *et al.*, 2013a; Shaiek *et al.*, 2013; Ahmed and Salam, 2014; Rezk *et al.*, 2017), such as Artificial Neural Network (ANN) (Haykin, 1999) and optimization metaheuristics such as Particle Swarm Optimization – PSO (Kennedy and Eberhart, 1995).

Under PSC, many conventional algorithms, such as Hill Climbing (HC) (Ons and Aymen, 2016), Perturb and Observe (P&O) (Femia *et al.*, 2005; Ahmed and Salam, 2015), Incremental Conductance (InC) (Loukriz *et al.*, 2016) and Fractional Open-Circuit Voltage (FVoc) (Xiao *et al.*, 2007), might be trapped in a LMPP, mostly because the tracking characteristics of these algorithms cannot differentiate between the LMPP and GMPP. In order

to overcome these disadvantages, several approaches have been applied, improving such algorithms and making them capable of reaching the MPP under PSC (e.g., Femia *et al.*, 2005; Ahmed and Salam, 2015; Devi *et al.*, 2017).

Another alternative is the hybridization of methods. Basically, hybridization consists in the combination of two different MPPT algorithms. Typically, an algorithm is used to search the region of GMPP identifying the corresponding value of voltage at the MPP. Then such value is used in a conventional MPPT, commonly P&O (Bataineh and Eid, 2018; Jiang *et al.*, 2015; Jiang *et al.*, 2013b; El-Helw *et al.*, 2017), InC (Radjai *et al.*, 2014; Punitha *et al.*, 2013; Abdulkadir and Yatim, 2014) or HC (Chaieb and Sakly, 2018), in order to reach a GMPP. The primary advantage of those techniques is the capability of leading a conventional MPPT (such as P&O, InC or HC) to reach the GMPP under PSC and increase the efficiency of the system. Several works report the potential of hybrids methods under uniform and non-uniform conditions with simulation and experimental results. However, in such works the authors only compare the performance of hybrid methods to non-hybrid techniques, such as P&O, InC, HC, PSO and DE. For example, Abdulkadir and Yatim (2014) and Manickam *et al.* (2016) compare their hybrid method to the conventional PSO method. In the same way, El-Helw *et al.* (2017), present results comparison between the proposed hybrid method and non-hybrid ANN technique.

Therefore in the present work a comparison between hybrid methods ANN+P&O and PSO+P&O is proposed by evaluating the PV power efficiency and energy difference of such methods under PSC. MATLAB/SIMULINK is used in order to simulate and evaluate the performance calculating the efficiency of each technique considering different Shading Patterns (SPs). The main contributions of the present work are: (i) a comparison between two different hybrid methods (ANN+P&O and PSO+P&O) used to improve the P&O algorithm efficiency under PSC; and (ii) further analysis of the algorithms ANN, PSO and P&O for PV systems providing additional results for future studies and for the development of physical models.

Related Work

Batarseh and Zater (2018) reported 20 hybrid MPPT methods mentioned in literature that can be categorized into intelligent and non-intelligent techniques. Intelligent methods category includes techniques based on Fuzzy Logic Controllers (FLC) (Bataineh and Eid, 2018; Ajiatmo and Robandi, 2017), ANN (Jiang *et al.*, 2015; Jiang *et al.*, 2013b; El-Helw *et al.*, 2017), PSO (Abdulkadir and Yatim, 2014; Manickam *et al.*, 2016; Sundareswaran *et al.*, 2015; Lian *et al.*, 2014), and others such as Gravitational Search Algorithm (GSA) (Sundareswaran *et al.*, 2016) and Simulated Annealing (SA) (Lyden and Haque, 2015). Most of such techniques

perform the MPP search using two stages. Commonly, in the first stage the intelligent technique is used to recognize the region of GMPP and then in the second stage a conventional MPPT (e.g., P&O, InC or HC) operates locally until the GMPP is reached.

Hybrid MPPT Methods Based on ANN and PSO

ANN and PSO are the two most employed techniques in combination with conventional MPPT algorithms under PSC. Therefore, the present section provides a specifically review of literature of the hybrid MPPT that combine ANN or PSO with conventional MPPT algorithms.

Jiang *et al.* (2013b; 2015) proposed an ANN combined with P&O method. The authors used several SPs to simulate PSC and evaluated the proposed method in different scenarios. The simulations and experiments show that the technique enables P&O to reach the MPP under PSC and is more efficient in comparison with other single techniques, such as conventional PSO. The major disadvantage is the requirement of large amount of data for ANN training process and the complexity for generation of this data in case of variations in irradiance and temperature (Nabipour *et al.*, 2017).

El-Helw *et al.* (2017) proposed an improvement in the hybrid method ANN+P&O implementing an ANN with two outputs, which represent the interval of voltage (V_{max} , V_{min}) that includes the GMPP region, showing that such hybrid method can successfully achieve the GMPP more accurately.

Punitha *et al.* (2013) used an ANN to improve the conventional InC MPPT algorithm. When PSC occurs, the InC algorithm effectively finds the GMPP with reduced tracking time using an ANN as predictor of the value of reference voltage (V_{ref}).

Sundareswaran *et al.* (2015), combined a PSO algorithm with P&O. The PSO is computationally simple and can be readily implemented on a low-cost digital controller. In some cases, the conventional PSO is trapped in an LMPP. Therefore, the authors proposed a hybrid method with PSO and P&O algorithms. According to such approach the time for convergence of PSO is minimized. After the convergence of most particles, the P&O method is initialized with its starting point as the position of the best particle in the PSO algorithm. In a similar way, Lian *et al.* (2014) present a hybrid method that use in the first stage a P&O algorithm for searching a LMPP.

Manickam *et al.* (2016) proposed another PSO and P&O hybridization, in which the P&O algorithm is only used to track the MPP under uniform conditions. When PSC occurs, the PSO algorithm is employed.

Abdulkadir and Yatim (2014) used a hybrid method with PSO and InC, using the same idea presented by Lian *et al.* (2014): The PSO method is initiated after the InC algorithm calculations converge to a value of voltage (V_{conv}) in the first stage.

PV Array Modelling

The PV module current (El-Helw *et al.*, 2017) of a number of cells connected in series and/or parallel combinations each other is given by:

$$I = I_{pv} - I_0 \left[\exp\left(\frac{V + R_s I}{V_t a}\right) - 1 \right] - \frac{V + R_s I}{R_p} \quad (1)$$

Where:

$V_t = \frac{N_s k T}{q}$ = Represents the thermal voltage with N_s cells in series

R_s and R_p = The series and parallel resistances, respectively, and can be estimated iteratively (Villalva *et al.*, 2009).

The photocurrent I_{pv} is proportional to solar irradiance level and is also influenced by the temperature according to:

$$I_{pv} = (I_{pv,n} + K_i \Delta T) \frac{G}{G_n} \quad (2)$$

Where:

$I_{pv,n}$ = The nominal photocurrent at the nominal conditions, also known as Standard Test Conditions (STC), usually 25°C and 1000 W/m² (Villalva *et al.*, 2009)

K_i = The short-circuit current/temperature coefficient

$\Delta T = T - T_n$ = (T and T_n are the actual and nominal temperatures of the PV module)

G (W/m²) and G_n (W/m²) = The incident and nominal solar irradiance level

The diode saturation current is given by:

$$I_0 = I_{0,n} \left(\frac{T_n}{T}\right)^3 \exp\left[\frac{q E_g}{ak} \left(\frac{1}{T_n} - \frac{1}{T}\right)\right] \quad (3)$$

where, E_g is the bandgap energy, usually is considered $E_g = 1.12 eV$ for polycrystalline Si at 25°C (Villalva *et al.*, 2009).

Still in Equation (2), $I_{0,n}$ is given by:

$$I_{0,n} = \frac{I_{sc,n}}{\exp(V_{oc,n} / a V_{t,n}) - 1} \quad (4)$$

where, $I_{sc,n}$ and $V_{oc,n}$ represent the nominal short-circuit current and nominal open-circuit voltage. Generally such values can be found in PV modules datasheets.

The aforementioned equations are modelled with the parameters shown in Table 1 and simulated in MATLAB®/Simulink.

The Effect of Partially Shaded Conditions

In order to illustrate the PSC, consider a PV array composed by two strings, each having four sets of PV modules, as shown in Fig. 1a. String 1 consists of modules M1, M2, M3, and M4 connected in series. String 2 consists of modules M5, M6, M7 and M8, connected in series. According to Fig. 1a each module in the PV array is submitted to a different level of irradiance. In this situation, the voltage difference among the unequally insolated modules activates the bypass diode of the lower insolated string (Ishaque and Salam, 2013). Consequentially, the resulting P-V curve for each shaded string is characterized by a number of peaks equal to the number of unequally insolated modules, and the P-V curve of the PV array is the sum of the P-V curves of each string as shown in Fig. 1b.

Under uniform irradiance the MPP is usually located at around 80% of the open circuit voltage V_{oc} (Radjai *et al.* 2014). Consequently, in PSC, the same condition occurs. Therefore, it is supposed that every LMPP in the PV curve is located sufficient closest of an integral multiple of 80% of V_{oc} of a single PV module (Ishaque and Salam, 2013), so that:

$$V_{ref} = C \times V_{oc} \times 0.8 \quad (5)$$

where, C is an integer.

Particularly, if $C = 1$, then Equation (5) is based on the same equation used in FVoc technique (Xiao *et al.*, 2007).

Hybrid Methods

This section provides an overview of two soft computing techniques that are combined with conventional MPPT method in order to form a hybrid MPPT algorithm for improving the MPPT efficiency under PSC, namely the ANN+P&O and the PSO+P&O methods.

In order to explain these methods, let's consider the P-V curve illustrated in Fig. 1b, in which there are four maxima (MPPs) respectively in four regions. The main idea of the hybrid MPPT methods is to identify the most promising region and then perform a local search. In the hybrid method ANN+P&O the ANN estimates the region and then the conventional P&O locally searches for the GMPP. In the hybrid method PSO+P&O, the stochastic algorithm PSO tries to reach the best duty cycle and then the P&O algorithm locally searches for the GMPP.

Table 1: PV module parameters

Parameters	Values
Imp (Maximum Power Current)	1.75 (A)
Vmp (Maximum Power Voltage)	8.55 (V)
Pmp (Maximum Power Point)	15 (W)(+10%/-5%)
Isc (Short-circuit Current)	1.90 (A)
Voc (Open-circuit Voltage)	10.55 (V)
Ki (Temp. coefficient of Isc)	1.50x10 ⁻³ (A/°C)
A (Ideal factor)	1.3
Rs (Series resistance)	0.179(Ω)
Rp (Parallel resistance)	481.15 (Ω)
Ns (N° of cell in series)	18

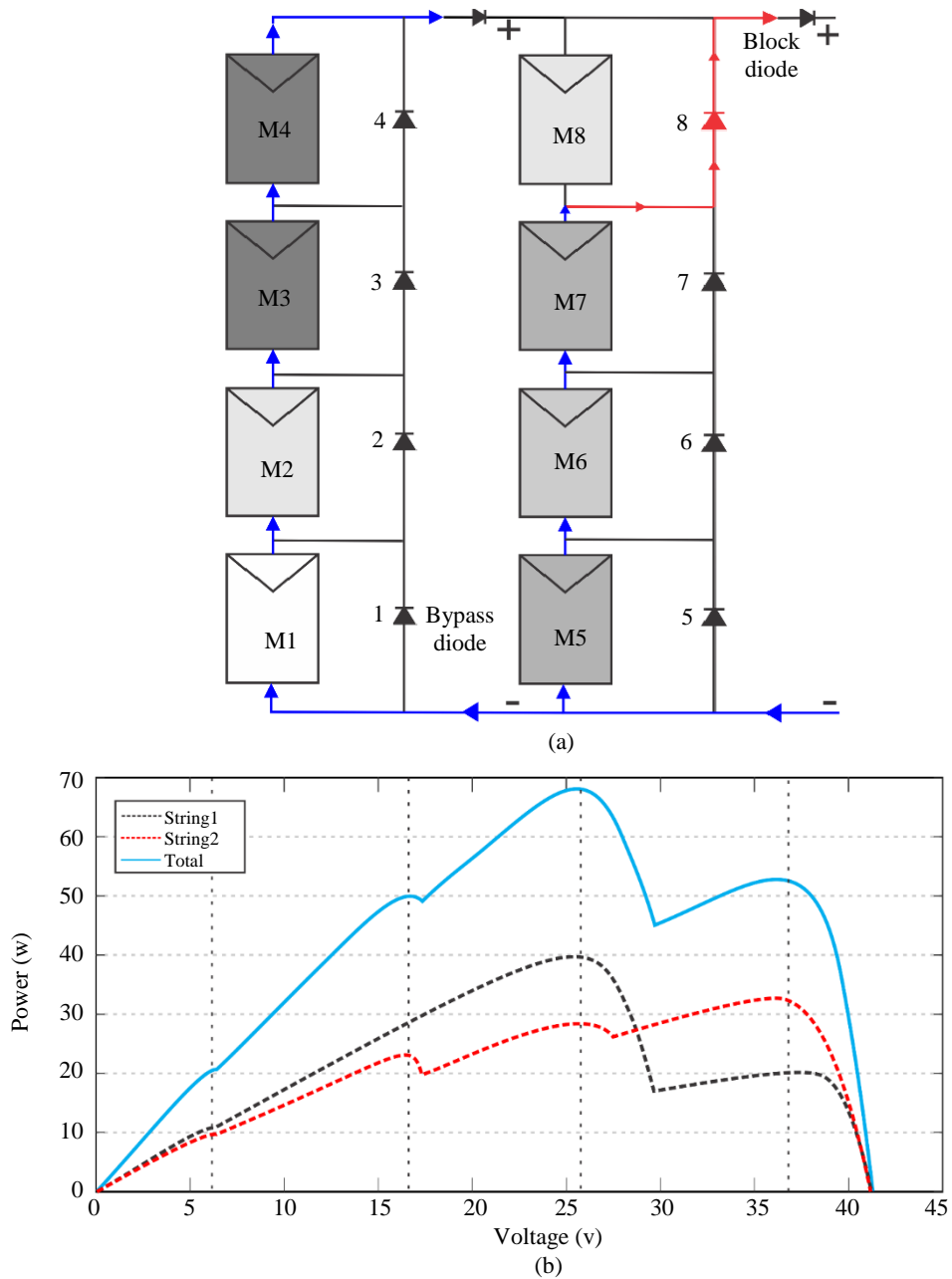


Fig. 1: (a) Configuration of the PV array under PSC. (b) P-V curve for each string and the resultant P-V curve of the entire array

Hybrid Method ANN+P&O

An ANN is a bioinspired distributed system with simple processing units, called neurons. During the training process, those neurons have the natural propensity for storing experiential knowledge and making it available (Haykin, 1999). ANNs execute tasks such as classification, regression, and pattern recognition. ANNs are applied in several fields of energy utilization, such as wind power systems, PV systems, and as controllers for hybrid energy systems. Regarding the MPPT problem, the ANN+P&O method combines an ANN technique with conventional P&O method to track efficiently the MPP with fast tracking convergence, characteristic of the ANN method (Jiang *et al.*, 2013b; 2015).

Firstly, the ANN train dataset is generated by a simulation of a PV array with four PV module in series, and each PV module is subject to irradiance and temperature levels. In order to simplify the model, the temperature is considered constant. The irradiance on each module varies from 100 W/m² to 1000 W/m², with a 50 W/m² step. Therefore, the ANN train dataset is composed by 19⁴ = 130321 input patterns, represented by the variations on irradiance of each module, and the same number of targets, which represent the region where the MPP is located. Furthermore, in order to improve the performance of the training process the output targets are coded in bits, as discussed by Jiang *et al.* (2013b).

As reported by Messalti *et al.* (2017) and Mitsuya and Meneses (2016), a Multilayer Perceptron (MLP) network presented the best performance as MPPT algorithm. Therefore, MLP was the architecture used in the present work. Table 2 shows the parameters of our MLP ANN implemented in MATLAB® using the Neural Network Toolbox (Beale *et al.*, 2015). The Levenberg-Marquardt (LM) training algorithm was chosen since it presents a good performance in nonlinear regression problems, such as MPPT problems.

After the training phase, the variables duty cycle (D_{ref}), power output (P_{old}) and the power change caused by a sudden irradiance change (P_{sudden}) are initialized. P_{sudden} represents a threshold indicating the occurrence of shading. When the difference between two subsequent power values is larger than P_{sudden} , then the ANN is used for predicting the region of the new MPP. Considering a constant load represented by a lead-acid battery, the D_{ref} can be calculated by using Equation (5) and:

$$D_{ref} = V_{out} / V_{ref} \quad (6)$$

where, D_{ref} is then used by the P&O algorithm for tracking the GMPP. In order to ensure the system stability at the new MPP, there is a time interval of 0.05s before the MPPT is updated.

Table 2: ANN parameters

Parameters	Values
Number of Hidden Layers (HL)	2
Number of neurons in each HL	20
Training Algorithm	Levenberg-Marquardt

Hybrid Method PSO+P&O

PSO is a simple and efficient meta-heuristic inspired on the swarm behavior in groups of animals such as bird flocking and fish schooling (Kennedy and Eberhart, 1995). The application of PSO have yielded outstanding results in several areas in the field of power generation.

As mentioned by Miyatake *et al.* (2011), the PSO is a useful tool to determine the powerful energy management strategy so as cover all load demand at minimum operating cost while satisfying system equality and inequality constraints.

PSO can be applied to the optimization of multimodal functions (i.e., functions with multiple optima), which is particularly interesting for PV systems under PSC as Miyatake *et al.* (2011) proposed. In the PSO+P&O method, a swarm of particles is used to search the best solution of the problem, and each particle represents a candidate solution. The position and velocity of a particle are computed according to:

$$\vec{x}_i^{k+1} = \vec{x}_i^{k+1} + \vec{v}_i^{k+1} \quad (7)$$

and:

$$\vec{x}_i^{k+1} = \omega \vec{x}_i^k + c_1 r_1^k \{ \vec{p}_{best,i} - \vec{x}_i^k \} + c_2 r_2^k \{ \vec{G}_{best} - \vec{x}_i^k \} \quad (8)$$

where, k represents the k^{th} iteration, ω is the inertia weight, C_1 and C_2 are the coefficients of acceleration, r_1 and r_2 are random numbers and $r_1, r_2 \in U(0,1)$, $\vec{p}_{best,i}$ represents the best individual position of the particle i , and \vec{G}_{best} represents the best position of the entire swarm.

The PSO+P&O hybrid algorithm in the present work is based on the method proposed by Sundareswaran *et al.* (2015). In Equation (7) and (8) the position vectors \vec{x}_i (candidate solutions) contain values of the duty cycles.

Simulations Settings

According to Fig. 2, the model of PV system is composed by an array, with 4 modules connected in series and each module configured according to the Table 1. The PV array is connected to a buck converter, with the following specifications: $C_1 = 2200 \mu\text{F}$, $C_2 = 22 \mu\text{F}$ and $L = 453 \mu\text{H}$. The frequency of the converter is set to 50 kHz, with a delay time $T_d = 0,05\text{s}$ to ensure the system stability before another MPPT cycle is initiated (Ishaque and Salam, 2013). A lead-acid battery with 12V of voltage represents the load.

In order to ensure a fair assessment of the PSO+P&O algorithm the simulation was executed ten times with different sequences of pseudorandom numbers, for each scenario tested. Table 3 shows the PSO parameters used in the tests.

Table 4 exhibits the set of SPs used for evaluating the performance of each of the three MPPT methods used in the present work. Such techniques are compared in terms of efficiency η given by Jiang *et al.* (2015):

$$\eta = \frac{\sum_{i=1}^{N_a} P_i}{\sum_{i=1}^{N_a} Prf_i} \times 100 \quad (9)$$

where, P_i and Prf_i are the power obtained by applying the MPPT method and the theoretical maximum power at the i^{th} sample time, respectively and N_a represents the total sample time.

The energy difference between hybrid methods and P&O algorithm δ_p is given by Jiang *et al.* (2015):

$$\delta_p = \frac{\sum_{i=1}^{N_a} |P_{Hybrid}(i) - P_{P\&O}(i)|}{\sum_{i=1}^{N_a} P_{P\&O}(i)} \times 100 \quad (10)$$

where, $P_{Hybrid}(i)$ and $P_{P\&O}(i)$ are the power obtained by hybrid and P&O method at the i^{th} sample time, respectively, and N_a represents the total sample time.

Different scenarios were tested in order to evaluate the performance and efficiency of the three algorithms. One scenario is the STC scenario (unshaded) and five scenarios are under PSC (PSC-1 to PSC-5) (Fig. 3). Under the STC, the PV arrays are submitted to an irradiance and temperature level equal to 1000 W/m² and 25°C, respectively. In the first four scenarios under PSC, single transitions are used to represent a sudden irradiance change.

Therefore, in scenario PSC-1 a transition occurs from SP1 to SP2, sequentially we have for scenario PSC-2, SP2 to SP3, SP3 to SP4 in scenario PSC-3, and SP4 to SP1 in scenario PSC-4. The last scenario (PSC-5) constitutes multiple transitions of the SPs (SP5 to SP9), whose values are not included in the training data set of the ANN, for a more difficult search. The total simulation time is 5s for scenario STC; 10s for scenarios PSC-1, PSC-2, PSC-3, and PSC-4; and 25s for scenario PSC-5. Changes in SPs occur at each 5s of the simulations, for the PSC scenarios.

Table 2: ANN Parameters

Parameters	Values
Number of Hidden Layers (HL)	2
Number of neurons in each HL	20
Training Algorithm	Levenberg-Marquardt

Table 3: PSO parameters

Parameters	Values
Number of particles	3.00
C_1	1.00
C_2	1.50
w	0.27

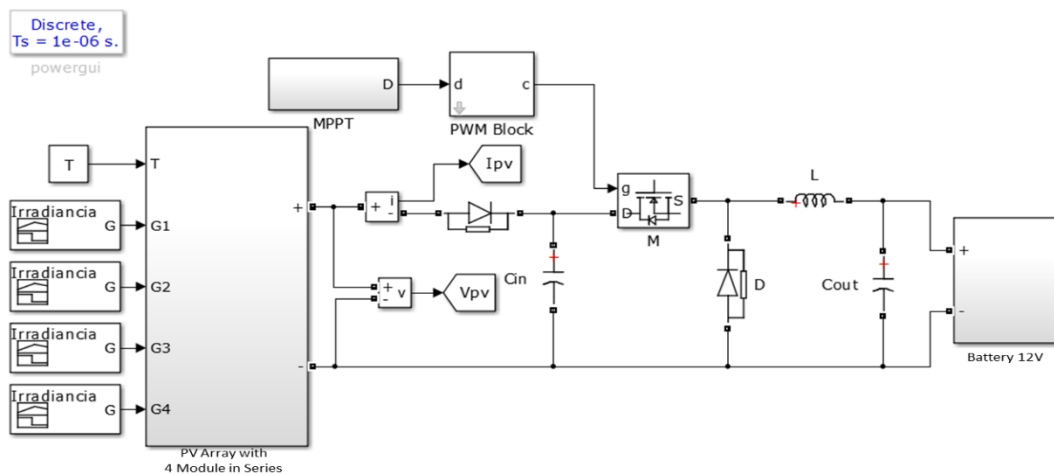


Fig. 2: Block diagram of the PV system

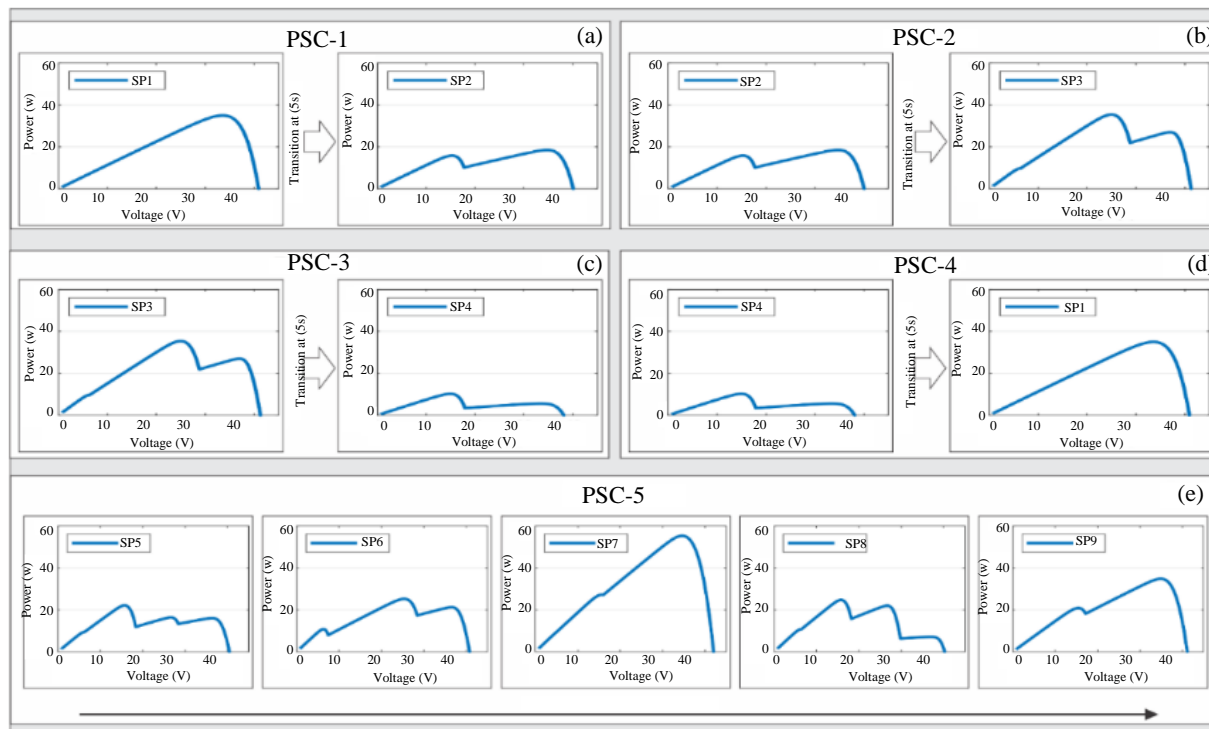


Fig. 3: P-V curves changes of all PSC Scenarios: (a) PSC-1; (b) PSC-2; (c) PSC-3; (d) PSC-4; (e) PSC-5

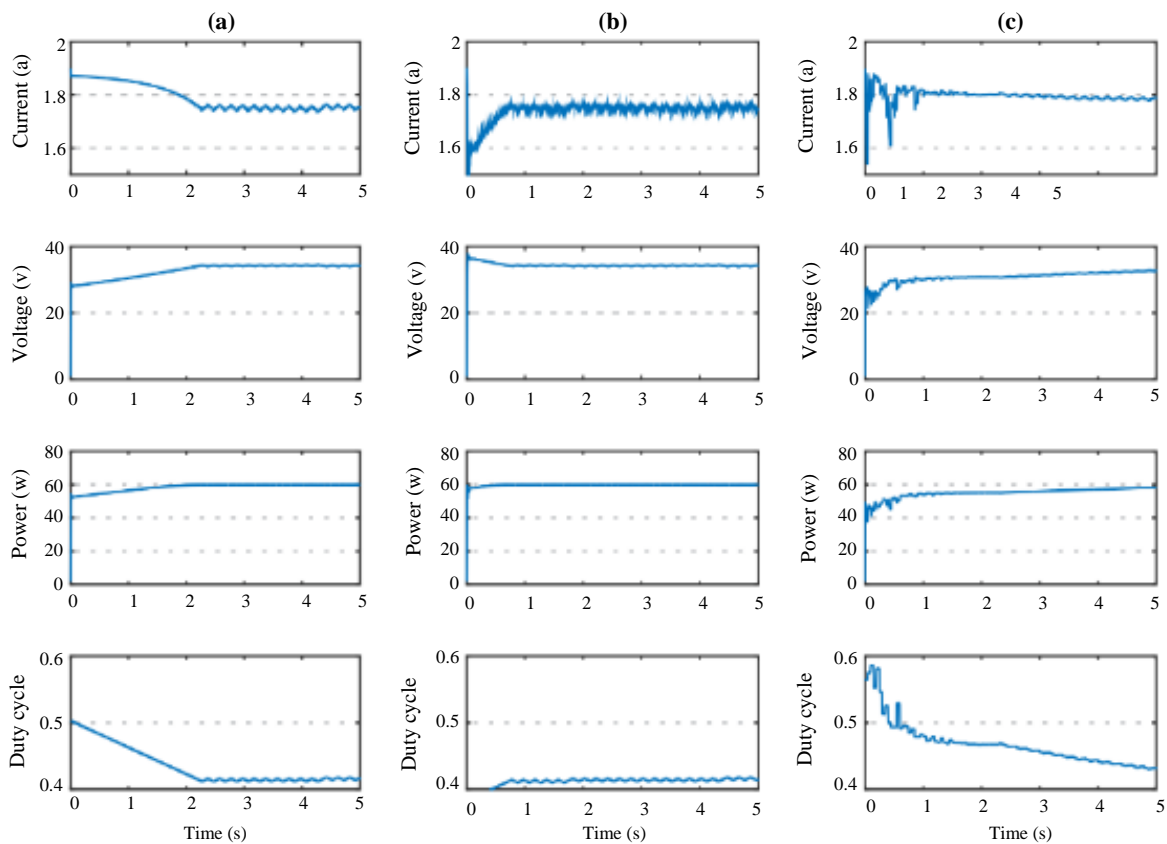


Fig. 4: Results for the STC scenario: (a) P&O (b) Hybrid ANN+P&O (c) Hybrid PSO+P&O

Results and Discussions

Figure 4 shows the performance of current, voltage, power, and duty cycle over time for the algorithms P&O, ANN+P&O, and PSO+P&O under STC. All algorithms reached the MPP (or nearly the MPP, in the case of PSO+P&O), however the tracking speed of ANN+P&O is higher than the two other methods' speeds, taking less than 1s. Due to the uniform irradiance condition, which presents a single MPP, P&O algorithm successfully reaches the MPP. PSO+P&O presented an oscillatory convergence, with maximum current, voltage and power respectively equal to 1.8 A, 30 V and 55 W.

Figure 5 shows the results for P&O, ANN+P&O, and PSO+P&O under PSC. Regarding P&O in the scenario PSC-1, as shown in Fig. 5a, the algorithm reached the GMPP even when the transition of SPs occurs, at 5s. This occurs when GMPP is located at the same region in both SPs, Fig. 5a. However, for the scenarios PSC-2, PSC-3, and PSC-4, in Figs. 5b to 5d, respectively, the P&O algorithm was trapped in LMPPs, hence extracting less energy than hybrid methods. The hybrid method ANN+P&O successfully reached the GMPP in all scenarios tested, for in this method the ANN correctly determines the region with the GMPP and the P&O algorithm reaches the GMPP. Regarding PSO+P&O, the PSO algorithm took

approximately 1.5 s to converge and then the best value found is used by the P&O algorithm to track the MPP. Considering Fig. 8b, when the SPs are changing the PSO algorithm successfully determines the best value for the P&O algorithm, but in other cases, such as scenarios 3 and 4 the PSO is trapped in an LMPP (Figs. 5c and 5d, respectively).

Figure 6 shows the results of P&O, ANN+P&O, PSO+P&O for the scenario 5. The hybrid method ANN+P&O successfully tracked the GMPP in all transitions. In cases which the GMPP is located in second region, for instance, in SP5 and SP8 (see Fig. 3(e)), ANN+P&O takes more convergence time, mostly because V_{ref} is approximately the voltage output (in this case the battery voltage).

Moreover, as reported by Jiang *et al.* (2015), the purpose of using the ANN combined with P&O is the classification of an approximate region of MPP, leading the P&O algorithm to reach the GMPP. The P&O algorithm was trapped in LMPP extracting less power output of the PV system, as seen in the intervals 0-5s and 15-20s. The PSO+P&O algorithm was trapped in LMPP in some cases. However, as shown in Table 5, the effectiveness of this method changed according to the pseudorandom numbers generation.

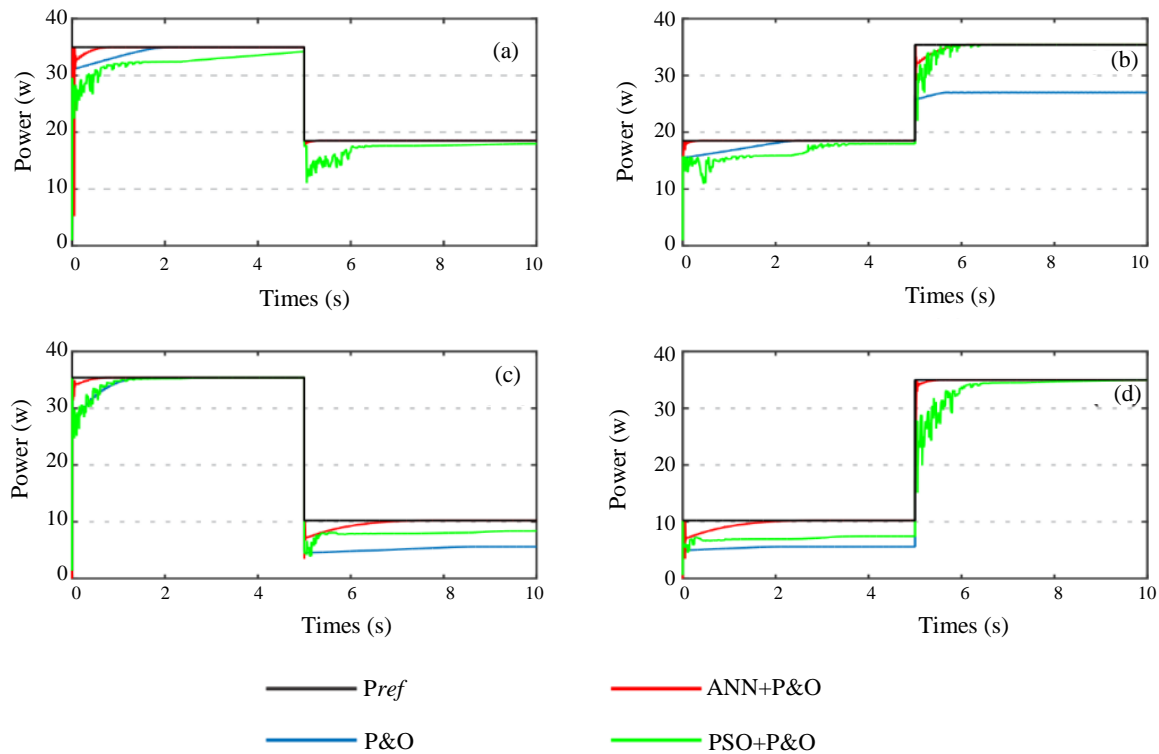


Fig. 5: Results for PSC with SPs changing from (a) SP1 to SP2 (scenario PSC-1); (b) SP2 to SP3 (scenario PSC-2); (c) SP3 to SP4 (scenario PSC-3) and (d) SP4 to SP1 (scenario PSC-4)

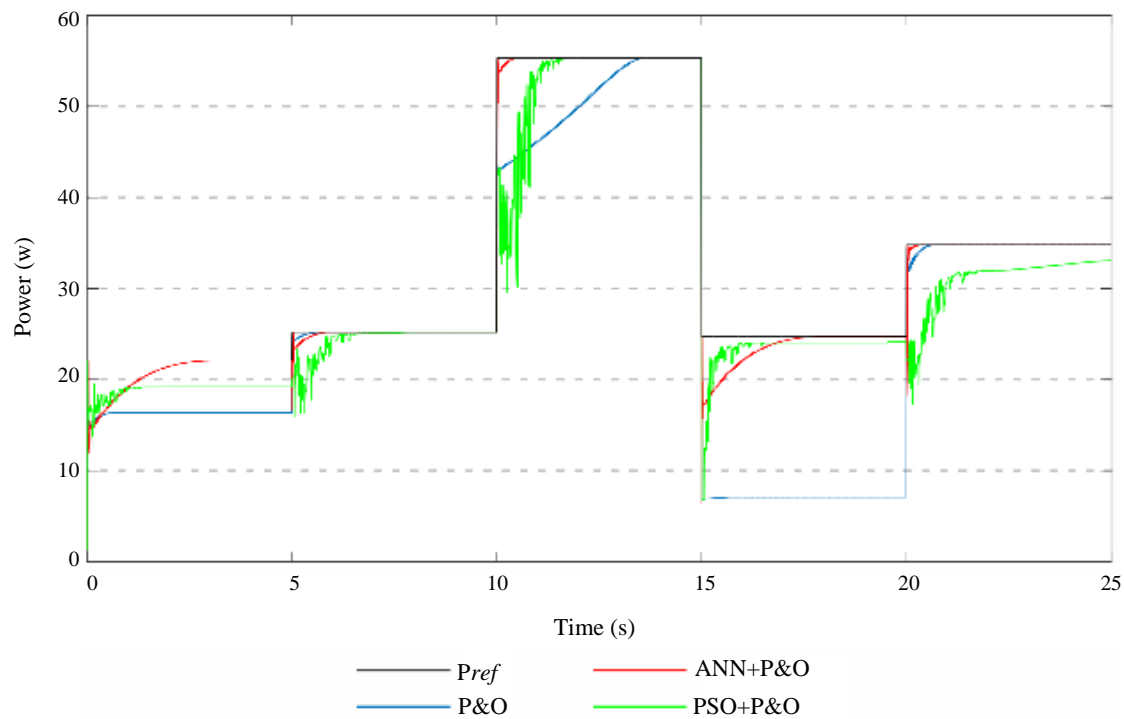


Fig. 6: Results of the methods P&O, ANN+P&O, and PSO+P&O for scenario PSC-5

Table 4: SPs used in the present work

Shading pattern	Irradiance in each module (W/m ²)				GMPP (W)	LMPPs (W)
	M1	M2	M3	M4		
SP1	600	600	600	600	35	-
SP2	600	600	300	300	18.5	15.75
SP3	900	400	800	800	35.4	26.75
SP4	400	400	100	100	10.22	5
SP5	340	790	880	245	22.1	9.5-16-16.5
SP6	560	560	320	995	25.2	11-21
SP7	990	1015	890	890	55.3	27
SP8	110	990	876	453	24.7	7.1-10.7-22
SP9	555	555	777	777	34.8	21

Table 5: Results of the hybrid method PSO+P&O

Test	Scenario					
	STC	PSC-1	PSC-2	PSC-3	PSC-4	PSC-5
1	76.86	84.63	93.79	96.54	95.92	96.25
2	97.69	94.43	97.11	95.78	94.61	96.25
3	98.60	94.98	98.56	98.61	87.35	86.14
4	74.93	80.68	94.50	85.57	91.61	94.08
5	98.99	97.49	98.10	98.42	86.45	93.21
6	98.75	99.68	98.29	85.38	88.27	88.77
7	98.30	98.81	98.32	97.74	87.34	90.43
8	95.66	98.01	84.07	98.04	84.01	91.78
9	79.44	86.99	92.42	88.07	85.50	95.57
10	96.45	98.03	98.14	88.30	97.95	97.04
Mean	91.57	93.37	95.33	93.25	89.90	92.95

Table 6: Efficiency (η) and energy difference δ_p .

Scenario	Tracking Method	η (%)	δ_p (%)
STC	P&O	97.44	-
	ANN+P&O	99.57	+2.19
	PSO+P&O	91.57	-6.02
PSC-1	P&O	98.64	-
	ANN+P&O	99.50	+0.87
	PSO+P&O	93.37	-5.34
PSC-2	P&O	82.94	-
	ANN+P&O	99.46	+19.92
	PSO+P&O	95.33	+14.94
PSC-3	P&O	87.36	-
	ANN+P&O	98.74	+13.03
	PSO+P&O	93.25	+6.74
PSC-4	P&O	89.52	-
	ANN+P&O	98.60	+10.14
	PSO+P&O	89.90	+0.42
PSC-5	P&O	82.88	-
	ANN+P&O	98.35	+18.67
	PSO+P&O	92.95	+12.15

Considering the Figs. 4, 5 and 6, and the values of efficiency in Table 6, the hybrid methods ANN+P&O and PSO+P&O over performed the P&O algorithm reaching higher power values, and ANN+P&O reaches the GMPP more efficiently, with more than 98% in all scenarios. Moreover, the energy gain was over 19% in PSC-2 and over 18% in PSC-5. Although PSO+P&O reaches the LMPP in some cases, it extracts power from the PV system more efficiently if compared to the P&O algorithm for more complex scenarios such as PSC-5.

The choice of the better MPPT algorithm is intrinsically related to characteristics of the PV system. As discussed by Jiang *et al.* (2013b), the hybrid method ANN+P&O can only be used if an experimental data for the training process of ANN can be provided. On the other hand, PSO+P&O only shows improvements in comparison with conventional MPPT (P&O) algorithm under PSC, or in cases of large PV systems.

Conclusion

In the present work, the P&O algorithm and two hybrid MPPT methods are reviewed and compared, namely ANN+P&O and PSO+P&O. The results of all scenarios tested show that soft computing methods successfully contribute for the conventional algorithm to achieve the GMPP when the PV system are under PSC, resulting in a higher power extraction. ANN+P&O and PSO+P&O respectively achieved 98.93% and 92.96% on average in the PSC scenarios tested, whereas P&O achieved 88.27% on average in such scenarios. Despite the effectiveness of hybrid method ANN+P&O, the algorithm requires substantial computing effort and it is relatively complex, principally for the training process.

The hybrid method with PSO successfully increased P&O efficiency, under PSC, with low computational cost.

Acknowledgment

This research was financed in part by the Coordenação de Aperfeiçoamento de Pessoal de Nível Superior - Brasil (CAPES) - Finance Code 001.

Author's Contributions

Max Tatsuhiko Mitsuya: Participated in all experiments, coordinated the data-analysis and contributed to the writing of the manuscript.

Anderson Alvarenga de Moura Meneses: Designed the research plan, organized the study and contributed to the writing of the manuscript.

Ethics

This article is original and contains unpublished material. The authors have read and approved this manuscript and no ethical issues are involved.

References

- Abdulkadir, M. and A.H.M. Yatim, 2014. Hybrid maximum power point tracking technique based on PSO and incremental conductance. Proceedings of the Conference on Energy Conversion, Oct. 3-14, IEEE Xplore Press, pp: 271-276.
 DOI: 10.1109/CENCON.2014.6967514
- Ahmed, J. and Z. Salam, 2014. A Maximum Power Point Tracking (MPPT) for PV system using Cuckoo Search with partial shading capability. Applied Energy, 119: 118-130.
 DOI: 10.1016/j.apenergy.2013.12.062

- Ahmed, J. and Z. Salam, 2015. An improved Perturb and Observe (P&O) Maximum Power Point Tracking (MPPT) algorithm for higher efficiency. *Applied Energy*, 150: 97-108.
DOI: 10.1016/j.apenergy.2015.04.006
- Ajiatmo, D. and I. Robandi, 2017. A hybrid Fuzzy Logic Controller-Firefly Algorithm (FLC-FA) based for MPPT Photovoltaic (PV) system in solar car. *Proceedings of the International Conference on Power and Renewable Energy*, Oct. 21-23, IEEE Xplore Press, Shanghai, China, pp: 606-610.
DOI: 10.1109/ICPRE.2016.7871149
- Bataineh, K. and N. Eid, 2018. A hybrid maximum power point tracking method for photovoltaic systems for dynamic weather conditions. *Resources*, 7: 1-68. DOI: 10.3390/resources7040068
- Batarseh, M. and M.E. Zater, 2018. Hybrid maximum power point tracking techniques: A comparative survey, suggested classification and uninvestigated combinations. *Solar Energy*, 169: 535-555.
DOI: 10.1016/j.solener.2018.04.045
- Beale, M.H., M.T. Hagan and H.B. Demuth, 2017. *Neural network toolbox™ user's guide how to contact mathworks*.
- Chaieb, H. and A. Sakly, 2018. A novel MPPT method for photovoltaic application under partial shaded conditions. *Solar Energy*, 159: 291-299.
DOI: 10.1016/j.solener.2017.11.001
- Devi, V.K., K. Premkumar, A.B. Beevi and S. Ramaiyer, 2017. A modified perturb and observe MPPT technique to tackle steady state and rapidly varying atmospheric conditions. *Solar Energy*, 157: 419-426.
DOI: 10.1016/j.solener.2017.08.059
- El-Helw, H.M., A. Magdy and M.I. Marei, 2017. A hybrid maximum power point tracking technique for partially shaded photovoltaic arrays. *IEEE Access*, 5: 11900-11908.
DOI: 10.1109/ACCESS.2017.2717540
- Femia, N., G. Petrone, G. Spagnuolo and M. Vitelli, 2005. Optimization of perturb and observe maximum power point tracking method. *IEEE Trans. Power Electron.*, 20: 963-973.
DOI: 10.1109/TPEL.2005.850975
- Gómez, M.F. and S. Silveira, 2015. The last mile in the Brazilian Amazon-A potential pathway for universal electricity access. *Energy Policy*, 82: 23-37.
DOI: 10.1016/j.enpol.2015.02.018
- Haykin, S., 1999. *Neural Networks: A Comprehensive Foundation*. 2nd Edn., Prentice Hall, Upper Saddle River, NJ, ISBN-10: 0139083855, pp: 842.
- Ishaque, K. and Z. Salam, 2013. A deterministic particle swarm optimization maximum power point tracker for photovoltaic system under partial shading condition. *IEEE Trans. Indus. Electron.*, 60: 3195-3206. DOI: 10.1109/TIE.2012.2200223
- Ishaque, K., Z. Salam, A. Shamsudin and M. Amjad, 2012b. A direct control based maximum power point tracking method for photovoltaic system under partial shading conditions using particle swarm optimization algorithm. *Applied Energy*, 99: 414-422. DOI: 10.1016/j.apenergy.2012.05.026
- Jiang, L.L., D.L. Maskell and J.C. Patra, 2013a. A novel ant colony optimization-based maximum power point tracking for photovoltaic systems under partially shaded conditions. *Energy Build.*, 58: 227-236. DOI: 10.1016/j.enbuild.2012.12.001
- Jiang, L.L., D.R. Nayanisiri, D.L. Maskell and D.M. Vilathgamuwa, 2015. A hybrid maximum power point tracking for partially shaded photovoltaic systems in the tropics. *Renewable Energy*, 76: 53-65.
DOI: 10.1016/j.renene.2014.11.005
- Jiang, L.L., D.R. Nayanisiri, D.L. Maskell and D.M. Vilathgamuwa, 2013b. A simple and efficient hybrid maximum power point tracking method for PV systems under partially shaded condition. *Proceedings of the 39th Annual Conference of the IEEE Industrial Electronics Society*, Nov. 10-13, IEEE Xplore Press, Vienna, Austria, pp: 1513-1518.
DOI: 10.1109/IECON.2013.6699357
- Karami, N., N. Moubayed and R. Outbib, 2017. General review and classification of different MPPT techniques. *Renewable Sustain. Energy Rev.*, 68: 1-18. DOI: 10.1016/j.rser.2016.09.132
- Kennedy, J. and R. Eberhart, 1995. *Particle swarm optimization*.
- Lian, K.L., J.H. Jhang and I.S. Tian, 2014. A maximum power point tracking method based on perturb-and-observe combined with particle swarm optimization. *IEEE J. Photovoltaics*, 4: 626-633.
DOI: 10.1109/JPHOTOV.2013.2297513
- Loukriz, A., M. Haddadi and S. Messalti, 2016. Simulation and experimental design of a new advanced variable step size Incremental Conductance MPPT algorithm for PV systems. *ISA Trans.*, 62: 30-38. DOI: 10.1016/j.isatra.2015.08.006
- Lyden, S. and M.E. Haque, 2015. A hybrid simulated annealing and perturb and observe method for maximum power point tracking in PV systems under partial shading conditions. *Proceedings of the Australasian Universities Power Engineering Conference*, Sep. 27-30, IEEE Xplore Press, Wollongong, NSW, Australia.
DOI: 10.1109/AUPEC.2015.7324803
- Manickam, C., G.R. Raman, G.P. Raman, S.I. Ganesan and C. Nagamani, 2016. A hybrid algorithm for tracking of GMPP based on P&O and PSO with reduced power oscillation in string inverters. *IEEE Trans. Indus. Electron.*, 63: 6097-6106.
DOI: 10.1109/TIE.2016.2590382

- Messalti, S., A. Harrag and A. Loukriz, 2017. A new variable step size neural networks MPPT controller: Review, simulation and hardware implementation. *Renewable Sustain. Energy Rev.*, 68: 221-233. DOI: 10.1016/j.rser.2016.09.131
- Mitsuya, M.T. and A.A.M. Meneses, 2016. Utilização de redes neurais feed forward e layer-recurrent na busca do ponto de máxima potência em sistemas fotovoltaicos (in Portuguese). *Proceedings of the 19th Brazilian Meeting on Computer Modeling*, pp: 238-247.
- Miyatake, M., M. Veerachary, F. Toriumi, N. Fujii and H. Ko, 2011. Maximum power point tracking of multiple photovoltaic arrays: A PSO approach. *IEEE Trans. Aerospace Electron. Syst.*, 47: 367-380. DOI: 10.1109/TAES.2011.5705681
- Nabipour, M., M. Razaz, S.G. Seifossadat and S.S. Mortazavi, 2017. A new MPPT scheme based on a novel fuzzy approach. *Renewable Sustain. Energy Rev.*, 74: 1147-1169. DOI: 10.1016/j.rser.2017.02.054
- Ons, Z., J. Aymen, A. Craciunescu and M. Popescu, 2016. Comparison of hill-climbing and artificial neural network maximum power point tracking techniques for photovoltaic modules. *Proceedings of the 2nd International Conference on Mathematics and Computers in Sciences and in Industry*, Aug. 17-17, IEEE Xplore Press, Sliema, Malta, pp: 19-23. DOI: 10.1109/MCSI.2015.24
- Punitha, K., D. Devaraj and S. Sakthivel, 2013. Artificial neural network based modified incremental conductance algorithm for maximum power point tracking in photovoltaic system under partial shading conditions. *Energy*, 62: 330-340. DOI: 10.1016/j.energy.2013.08.022
- Radjai, T., J.P. Gaubert and L. Rahmani, 2014. The new FLC-variable incremental conductance MPPT with direct control method using Cuk converter. *Proceedings of the 23rd International Symposium on Industrial Electronics*, Jun. 1-4, IEEE Xplore Press, Istanbul, Turkey, pp: 2508-2513. DOI: 10.1109/ISIE.2014.6865014
- Rezk, H., A. Fathy and A.Y. Abdelaziz, 2017. A comparison of different global MPPT techniques based on meta-heuristic algorithms for photovoltaic system subjected to partial shading conditions. *Renewable Sustain. Energy Rev.*, 74: 377-386. DOI: 10.1016/j.rser.2017.02.051
- Shaiek, Y., M. Ben Smida, A. Sakly and M.F. Mimouni, 2013. Comparison between conventional methods and GA approach for maximum power point tracking of shaded solar PV generators. *Solar Energy*, 90: 107-122. DOI: 10.1016/j.solener.2013.01.005
- Sundareswaran, K., S.P. Simon and P.S.R. Nayak, 2016. Gravitational search algorithm combined with P&O method for MPPT in PV systems. *Proceedings of the Annual India Conference*, Dec. 16-18, IEEE Xplore Press, Bangalore, India. DOI: 10.1109/INDICON.2016.7838956
- Sundareswaran, K., V.V. Kumar and S. Palani, 2015. Application of a combined particle swarm optimization and perturb and observe method for MPPT in PV systems under partial shading conditions. *Renewable Energy*, 75: 308-317. DOI: 10.1016/j.renene.2014.09.044
- Villalva, M.G., J.R. Gazoli and E.R. Filho, 2009. Comprehensive approach to modeling and simulation of photovoltaic arrays. *IEEE Trans. Power Electron.*, 24: 1198-1208. DOI: 10.1109/TPEL.2009.2013862
- Xiao, W., W.G. Dunford, P. Palmer and A. Capel, 2007. Regulation of photovoltaic voltage. *IEEE Trans. Indus. Electron.*, 54: 1365-1374. DOI: 10.1109/TIE.2007.893059